

**SAVE 1€ PER M2**



**LEVEL MORE THAN 5000 SQUARE METERS A DAY**

**SK150 & SK200**

**THE BEST SKID GRADING ATTACHMENTS**

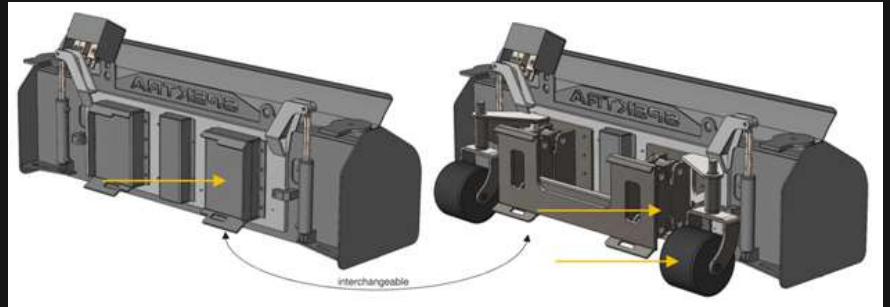
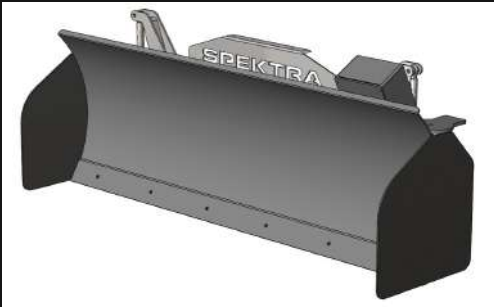
[www.grade-blade.com](http://www.grade-blade.com)



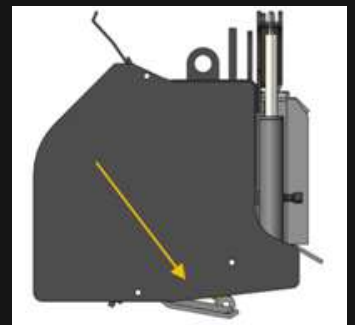
# AUTOMATIC

2D or 3D CONTROLLED

SK150 and SK200 are automatic grading blades for skid steers able to reproduce the plane provided by a 2D or 3D control system, they have been designed to transform a compact loader in a perfect levelling machine. This solution optimizes the leveling operations in the construction business, like industrial buildings, urbanizations, roads, parking lots, bike paths, sports fields and wherever is needed a precise and quickly levelling using a compact machine.



SK150 and SK200 are able to move both in elevation and tilt, their movements are completely independent from the arm of the machine, thanks to the two side cylinders and to the central axle. SK200 has also a rear hydraulic sled to increase the stability and smooth the final pass. The 2D or 3D control system adjusts the position of the blade by controlling the hydraulic distributor installed inside the structure.



## FAST RETURN ON INVESTMENT

More than 5000 square meters can be levelled every day using a compact loader thanks to SK150 and SK200 Grade Blades!

No bigger machines on the jobsite means a considerable costs saving and the possibility to work in confined spaces. The same compact loader used for handling can be transformed into a perfect automatic grader in less than a minute!



# DATASHEET

## SK150

## SK200

### STRUCTURE

<b>Dimensions</b>	2400 x 800 x 650 mm	2400 x 800 x 750 mm
<b>Weight</b>	About 640 kg	About 890 kg
<b>Material</b>	Main parts made in HARDOX	Main parts made in HARDOX
<b>Lateral plates</b>	Fixed side plates	Removable side plates
<b>Cutting edge</b>	Removable and reversable	Removable and reversable
<b>Rear sled</b>	No hydraulic sled	Adjustable hydraulic sled
<b>Quick coupler (optional)</b>	Standard or Articulated coupler	Standard or Articulated coupler
<b>Masts (optional)</b>	Telescopic with antivibrations	Telescopic with antivibrations
<b>Lubrication</b>	Multiple junction points	Multiple junction points
<b>Inspection</b>	Easy access for maintenance	Easy access for maintenance

## SK150

## SK200

<b>Connections</b>	Auxiliary hydraulic ports	Auxiliary hydraulic ports
<b>Hydraulic valves</b>	Proportional distributor	Proportional distributor
<b>Flow rate</b>	Maximum 100l/min - 350 bar	Maximum 100l/min - 350 bar
<b>Auxiliary valve</b>	Non-return valve on main line	Non-return valve on main line

### HYDRAULIC

### CONTROL

## SK150

## SK200

<b>2D system (optional)</b>	2D control systems compatible	2D control systems compatible
<b>3D system (optional)</b>	3D control systems compatible	3D control systems compatible

**WE SHIP WORLDWIDE  
ASK YOUR DEALER**

Your local SK150 and SK200 distributor

[www.grade-blade.com](http://www.grade-blade.com)